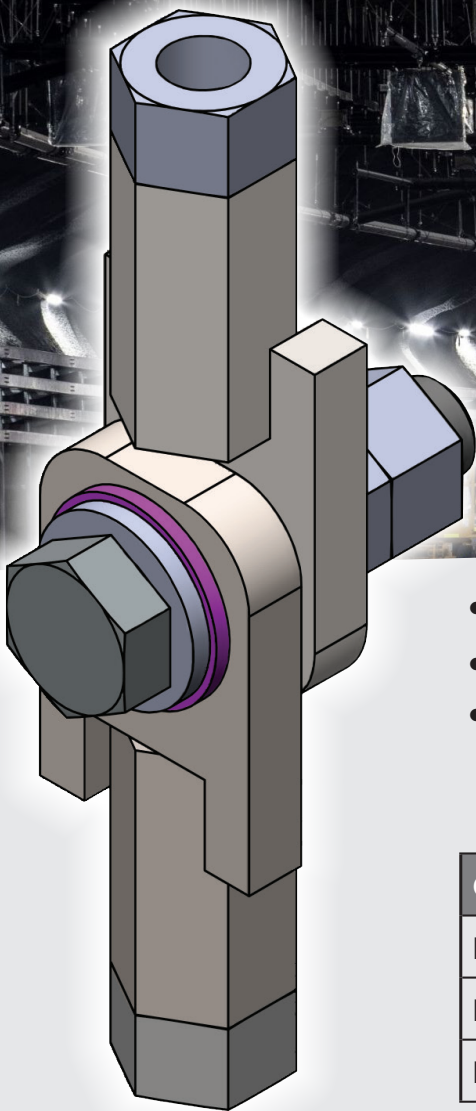


## Introducing the NEW INTERNAL THREAD SWIVEL BRACKET

The Internal Thread Swivel Bracket is the most versatile threaded rod coupler on the market. Available in kit form with hot-dip galvanised or stainless configurations, and complete with an optional nylon separator, the bracket is perfect for use with dissimilar metals. The swivel design allows for installation almost anywhere. It doesn't matter if the overhead substrate isn't level, the Internal Thread Swivel Bracket will get the job done!



- Suitable for M12 Threaded Rod
- Swivels up to 45 degrees
- Available in Stainless Steel or Hot Dip Galvanised configurations

- Optional nylon separator to prevent reaction between dissimilar metals
- Load rated to match grade 4.6 threaded rod
- Fire-Rated to AS3013:2004

Code	Description
<b>ITS12KH-S</b>	Internal Thread Swivel Bracket Kit M12 HDG to SS GR316
<b>ITS12KH</b>	Internal Thread Swivel Bracket Kit M12 HDG
<b>ITS12KS</b>	Internal Thread Swivel Bracket Kit M12 SS GR316

**Note:** installing the internal thread swivel bracket at an angle may require further adaptation to the hold down brackets used with your cable tray or ladder. Please contact EzyStrut for more details.