

# MODULAR

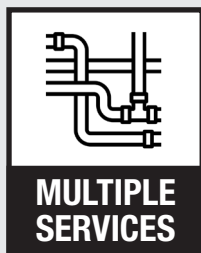
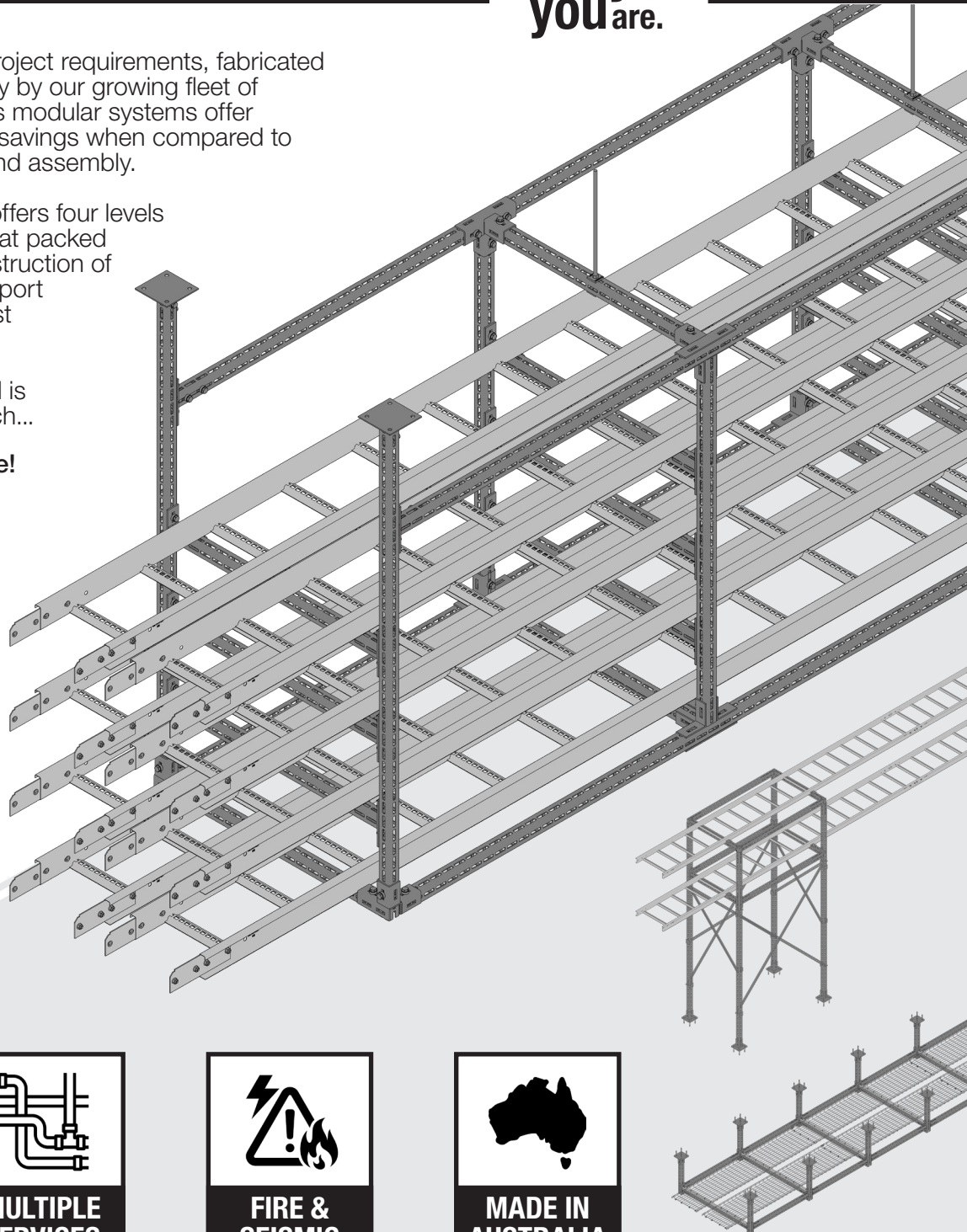
ready when  
you are.

Custom designed to any project requirements, fabricated locally and delivered directly by our growing fleet of delivery vehicles, EzyStrut's modular systems offer significant time and labour savings when compared to traditional on-site cutting and assembly.

Our innovative new range offers four levels of modular flexibility, from flat packed component supply, to construction of completed frames and support services, tailor made for fast and easy installation.

Getting your design started is as simple as getting in touch...

We're ready when you are!



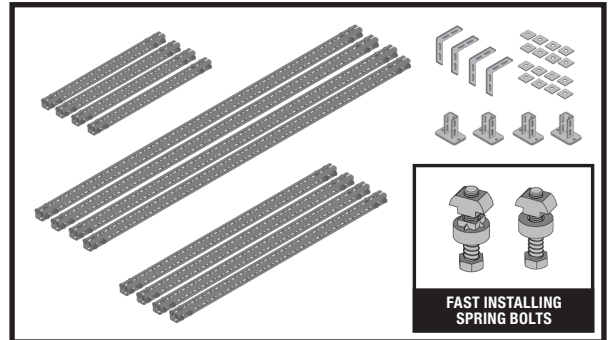
# MODULAR

ready when you are.

## Level 1: Flat Pack Kits

All structural members fabricated to length and flat packed together in bundle or pallet form, supplied complete with all required angle brackets, joiners, base plates and fasteners for on-site assembly.

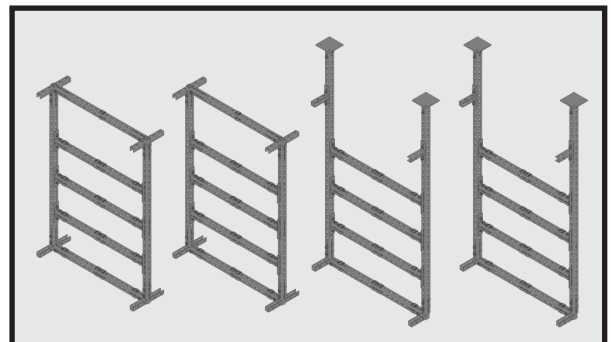
EzyFrame Spring Bolts ensure members are quickly and firmly fastened, with minimal use of extra tools on site.



## Level 2: Partially Assembled Frames

Frames partially assembled by EzyStrut and delivered directly to site, ideal for circumstances where prefabrication will provide time and labour savings, but where access to the final installation location is limited.

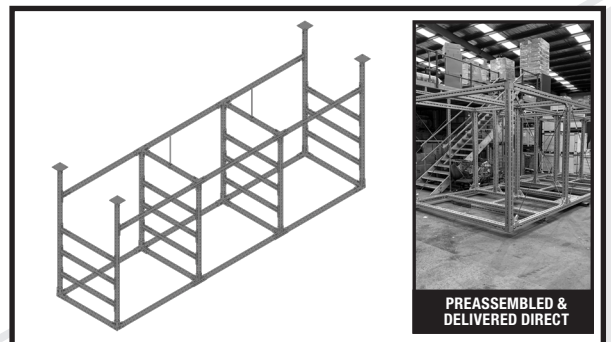
All other members fabricated to length and required accessories supplied for balance of assembly on-site.



## Level 3: Fully Assembled Frames

Frames are fully assembled by EzyStrut and delivered directly to site, ready for installation and addition of the client's choice of cable or pipe support products.

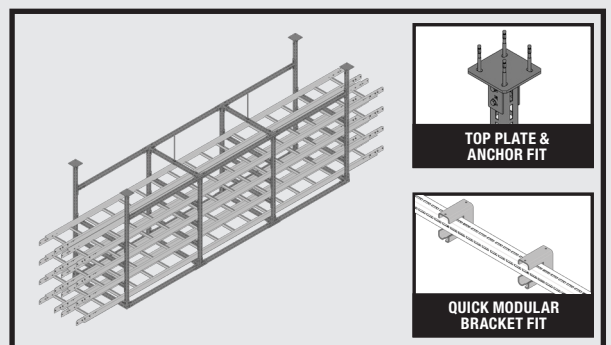
Ideal for circumstances where support structures can be standardised and repeatable, but services vary throughout different portions the project.



## Level 4: Fully Assembled Modules

The ultimate time and labour saving solution. Entire modules are assembled by EzyStrut and delivered directly to site, ready for quick installation with a number of specially designed fitment accessories and methods.

All that is required of the contractor post delivery and installation is the addition of the cables or pipework.



### Other Design Examples:

