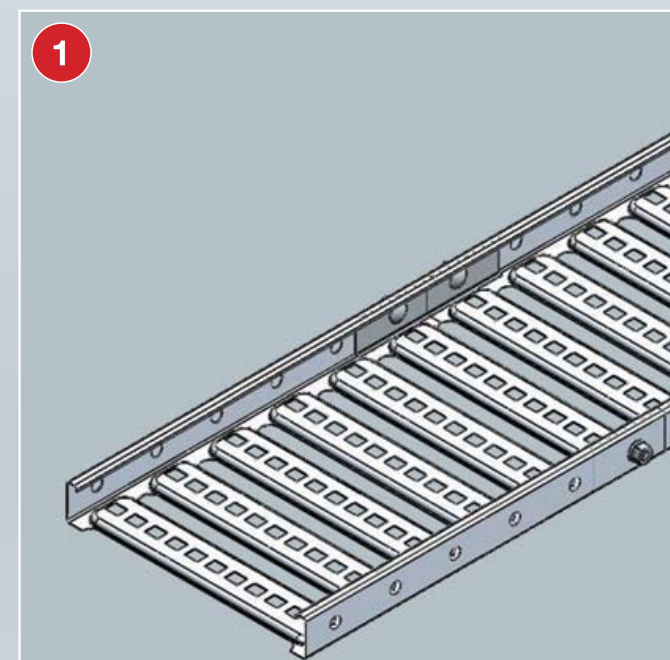


## Ezytray

The sensible choice for general purpose installations.

To specify your preferred product finish, add to the end of your ordering code –  
G – Galvanised Sheet Steel or  
H – Hot Dip Galvanised



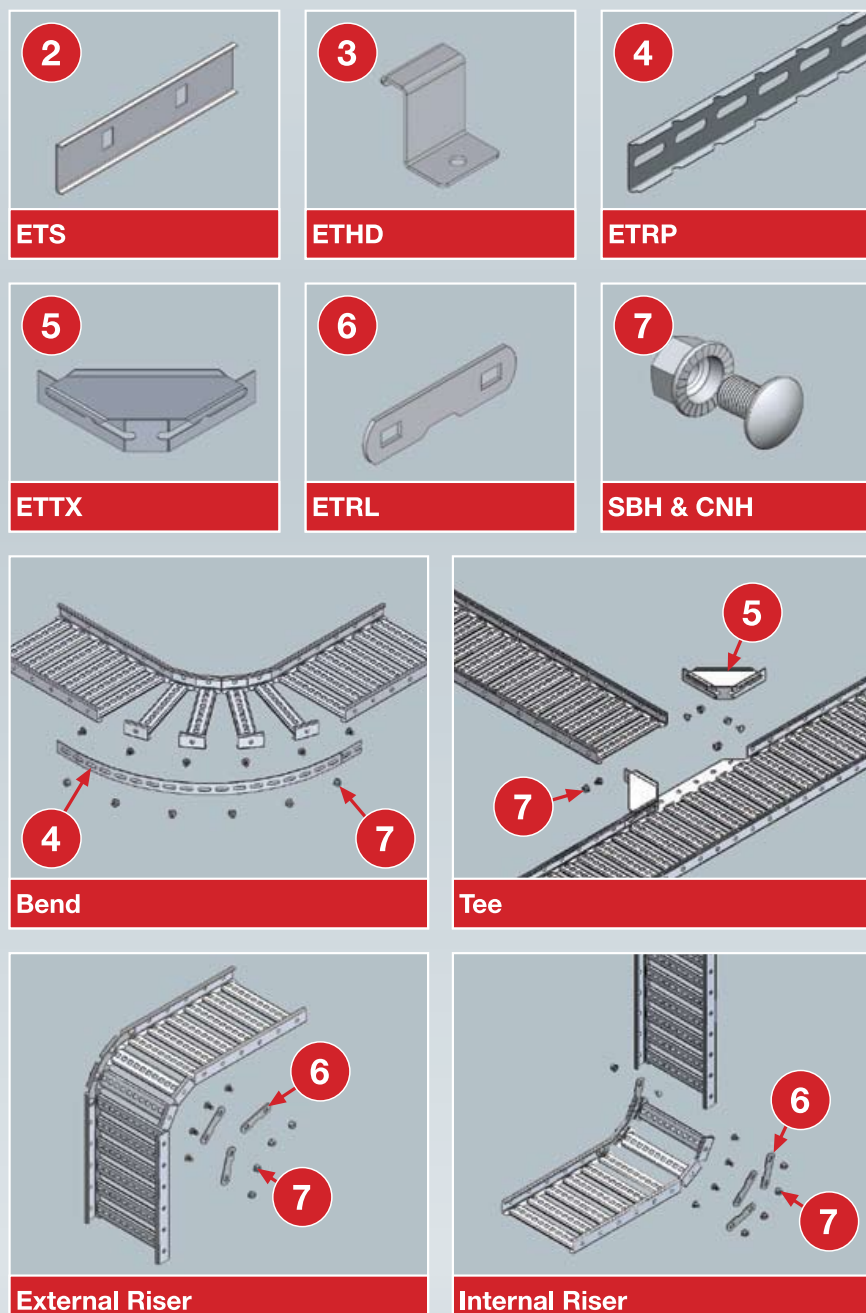
Ezytray

### Ordering Details – Ezytray

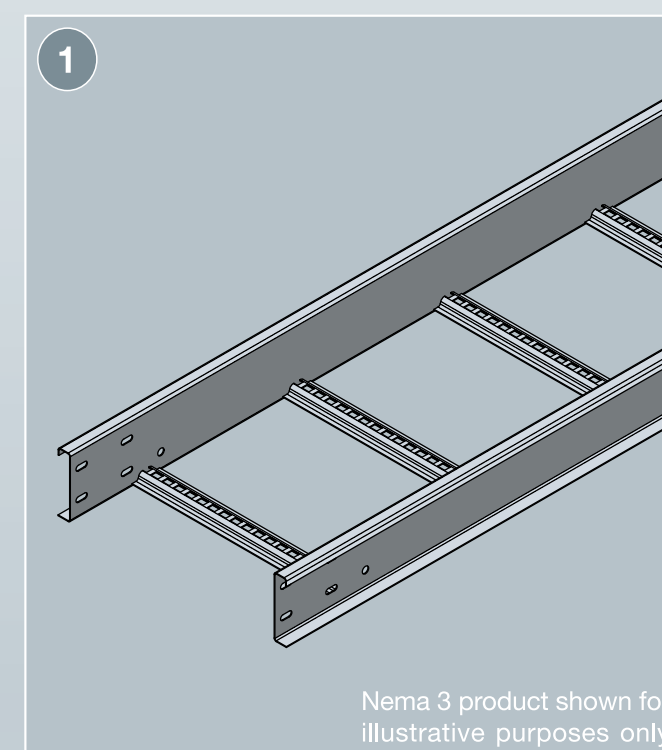
Ordering Code	Nominal Cable Laying Width mm	Cable Laying Depth mm	Overall Width (W) mm	Overall Height (H) mm
ET 150	150	38	150	45
ET 300	300	38	300	45
ET 450	450	38	450	45
ET 600	600	38	600	45

### Load Rating and Deflection

SPAN METRE	LOAD PER METRE	Deflection
3.0	27 kg	23mm
2.5	37 kg	18mm
2.0	57 kg	13mm
1.5	105 kg	9mm



## Cable Ladders



Nema 3 product shown for illustrative purposes only

### Ordering Details – Nema 2

Ordering Code	Cable Laying Width (W) mm	Cable Laying Depth mm	Overall Width mm	Side Rail Height mm
N2L 150	150	75	206	93
N2L 300	300	75	356	93
N2L 450	450	75	506	93
N2L 600	600	75	656	93
N2L 900	900	75	956	93

### Load Rating and Deflection

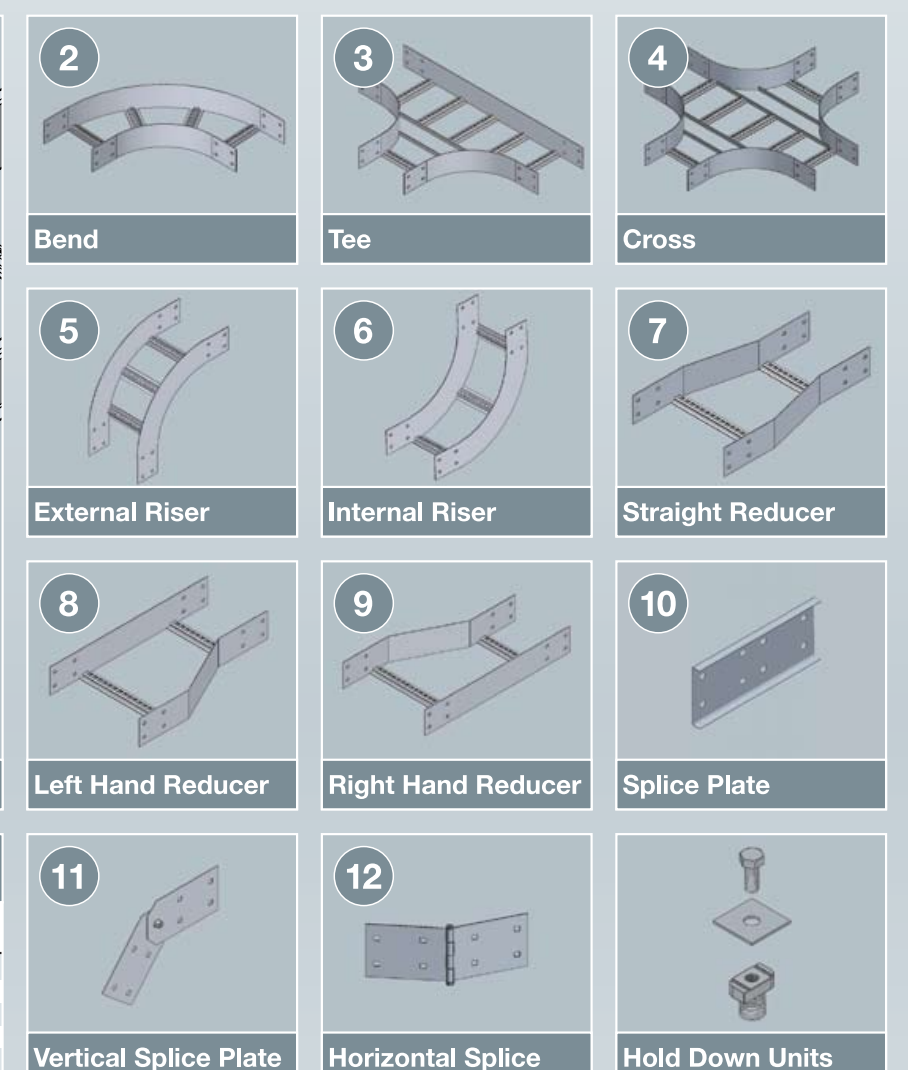
SPAN METRE	LOAD PER METRE	Deflection
6.0	75 kg	41mm
5.5	83 kg	35mm
5.0	100 kg	28mm
4.5	130 kg	24mm
4.0	165 kg	19mm

### Ordering Details – Nema 3

Ordering Code	Cable Laying Width (W) mm	Cable Laying Depth mm	Overall Width mm	Side Rail Height mm
N3L 150	150	115	206	130
N3L 300	300	115	356	130
N3L 450	450	115	506	130
N3L 600	600	115	656	130
N3L 900	900	115	956	130

### Load Rating and Deflection

SPAN METRE	LOAD PER METRE	Deflection
6.0	111 kg	31mm
5.5	127 kg	26mm
5.0	134 kg	19mm
4.5	165 kg	16mm
4.0	209 kg	13mm



### Ordering Guide

A simple guide to step by step ordering has been outlined to assist you in understanding the EzyStrut code language.

Example –  
To order a Nema 3 External Riser, 450 wide, 450 radius, Hot Dip Galvanised finish.

Series	Type	Width	Radius	Finish
N2 - Nema 2 (16A)	B - Bend	150mm	3 - 300 Radius	H - Hot Dip Galvanised
	T - Tee	300mm	4 - 450 Radius	G - Galvanised
	C - Cross	450mm	6 - 600 Radius	S - Stainless Steel
N3 - Nema 3 (20B)	ER - External Riser	600mm		
	IR - Internal Riser	900mm		
	SR - Straight Reducer			
	LHR - Left Hand Reducer			
	RHR - Right Hand Reducer			

Note: 450 Radius is standard for both Nema 2 and Nema 3 product

All Ezytray and Cable Ladder products have been tested in accordance with NEMA standards and the load ratings certified by a NATA accredited testing facility. A guide to deflection for continuous runs has been included for easy reference, however it should be noted that the positioning of splice joints and loading techniques can significantly impact upon the actual deflection. Refer to NEMA VE2 Installation guidelines for further explanation.