

HOW TO ORDER SLOTTED CHANNEL

Example

E1000S H



Select Slotted Channel

- E1000S** 41x41mm/2.5mm THK, Slotted
- E2000S** 41x41mm/1.6mm THK, Slotted, Ribbed
- E3300S** 41x21mm/2.5mm THK, Slotted
- E4000S** 41x21mm/1.6mm THK, Slotted, Ribbed
- E5500S** 41x61mm/2.5mm THK, Slotted

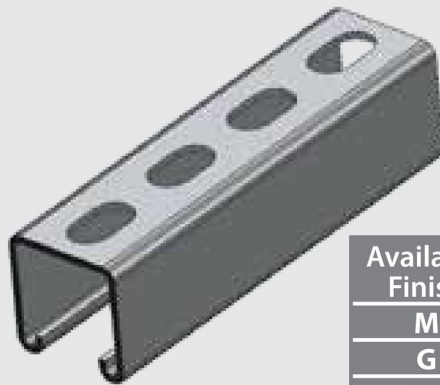
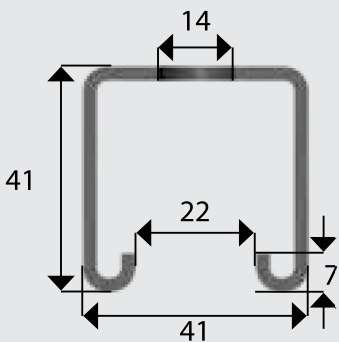
Select Finish*

- M** Mill Steel
- G** Pre-Galvanised
- H** Hot Dip Galvanised
- S** Stainless Steel
- A** Aluminium

* Refer to each channel for available finishes and service guide.

^Max Load Notes: Loading is static and should be applied as a Uniformly Distributed Load. Published values are for plain channels, based on a simply supported beam.

E1000S SLOTTED CHANNEL



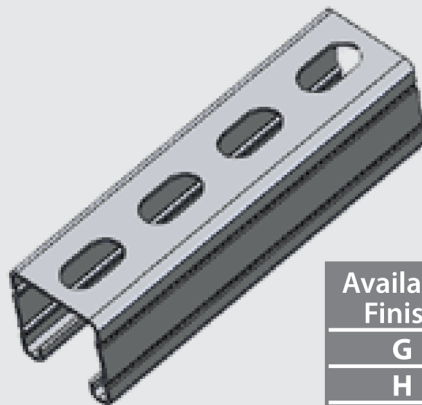
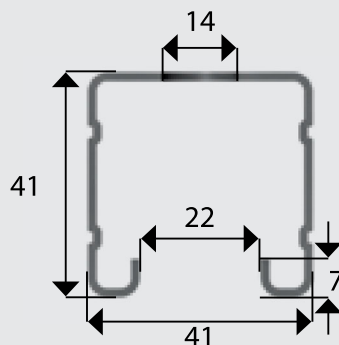
HEAVY DUTY

- Supplied in 6m lengths
- 41x41mm, 2.5mm THK
- 28.5 x 14mm slots are punched continuously at 50mm centres.

Available Finish	Weight	Part Number	Service Guide
M	14.7kg/6m	E1000SM	C
G	14.2kg/6m	E1000SG	A
H	15.6kg/6m	E1000SH	A
S	15kg/6m	E1000SS	A



E2000S SLOTTED RIBBED CHANNEL



MEDIUM DUTY

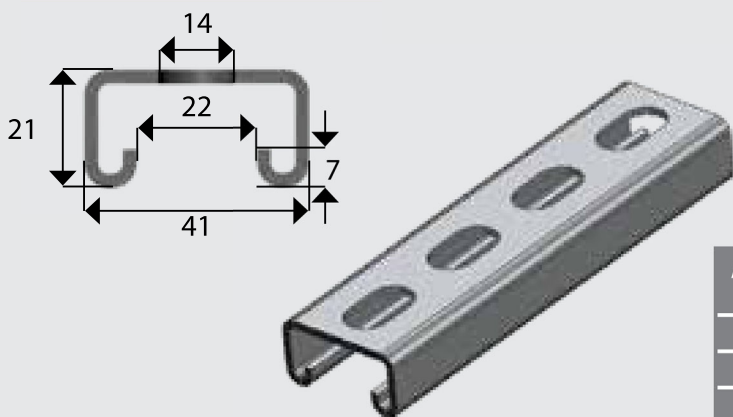
- Supplied in 6m lengths
- 41x41mm, 1.6mm THK
- 28.5 x 14mm slots are punched continuously at 50mm centres.

Available Finish	Weight	Part Number	Service Guide
G	10.2kg/6m	E2000SG	A
H	10.8kg/6m	E2000SH	B
A	3.5kg/6m	E2000SA	C



Service Guide Key: **A** Usually in stock at all branches **B** Usually in stock at head office
C Normal lead time **D** Made to Order (lead time on enquiry)

E3300S SLOTTED CHANNEL



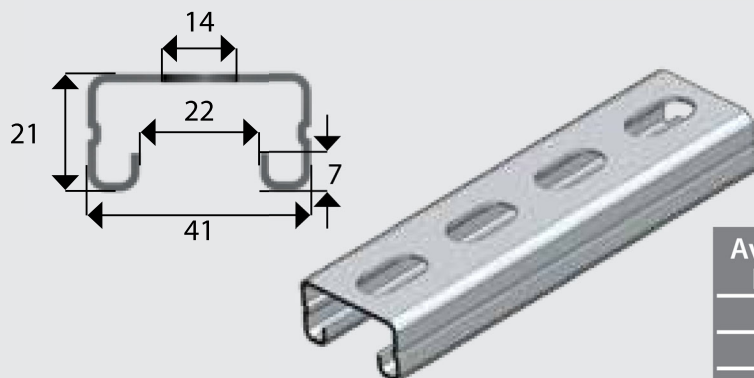
MEDIUM DUTY

- Supplied in 6m lengths
- 41x21mm, 2.5mm THK
- 28.5 x 14mm slots are punched continuously at 50mm centres.

Available Finish	Weight	Part Number	Service Guide
M	10kg/6m	E3300SM	C
G	9.7kg/6m	E3300SG	A
H	10.7kg/6m	E3300SH	A
S	10.3kg/6m	E3300SS	A



E4000S SLOTTED RIBBED CHANNEL



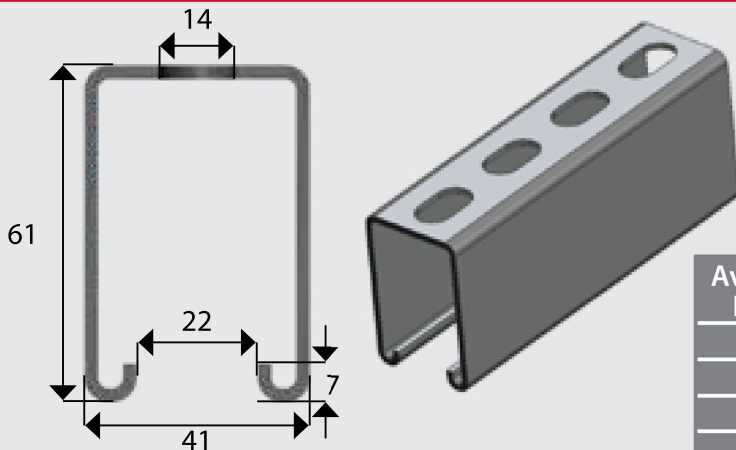
LIGHT DUTY

- Supplied in 6m lengths
- 41x21mm, 1.6mm THK
- 28.5 x 14mm slots are punched continuously at 50mm centres.

Available Finish	Weight	Part Number	Service Guide
M	7.1kg/6m	E4000SM	C
G	7.1kg/6m	E4000SG	A
H	7.5kg/6m	E4000SH	B
A	2.5kg/6m	E4000SA	C



E5500S SLOTTED CHANNEL



VERY HEAVY DUTY

- Supplied in 6m lengths
- 41x61mm, 2.5mm THK
- 28.5 x 14mm slots are punched continuously at 50mm centres.

Available Finish	Weight	Part Number	Service Guide
M	19.5kg/6m	E5500SM	C
G	18.8kg/6m	E5500SG	A
H	20.7kg/6m	E5500SH	A
S	20kg/6m	E5500SS	C



FASTENERS

STRUT SYSTEMS

CABLE SUPPORTS

FIRERATED

PIPE SUPPORTS