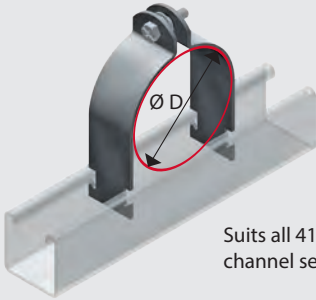


### E5 CHANNEL CLIP



Suits all 41mm wide channel section.

E5 Channel Clip offers a quick and straightforward strut supported mod for securing cables, conduit or pipe. Time saving installation process with a single fastener (included). Other finishes and sizes available as made to order.

Refer to pages 120-121 for Pipe NB reference.  
Pull Out Load: 400kg  
Slip Out: 400kg

Ø D	Material (W x T)*	Bolt Size	Zinc Plated (AS1789:2003)		Hot Dip Galvanised (AS/NZS4680:2006)		Stainless Steel (316)	
			Part No.	Service Guide	Part No.	Service Guide	Part No.	Service Guide
11	32 x 1.6	M6x30	E5-11Z	B	E5-11H	A	E5-11S	B
14	32 x 1.6	M6x30	E5-14Z	A	E5-14H	A	E5-14S	A
17	32 x 1.6	M6x30	E5-17Z	A	E5-17H	A	E5-17S	B
19	32 x 1.6	M6x30	E5-19Z	A	E5-19H	A	E5-19S	A
21	32 x 1.6	M6x30	E5-21Z	A	E5-21H	A	E5-21S	A
25	32 x 1.6	M6x30	E5-25Z	A	E5-25H	A	E5-25S	A
27	32 x 1.6	M6x30	E5-27Z	B	E5-27H	A	E5-27S	B
29	32 x 1.6	M6x30	E5-29Z	B	E5-29H	A	E5-29S	B
32	32 x 1.6	M6x30	E5-32Z	A	E5-32H	A	E5-32S	A
34	32 x 1.6	M6x30	E5-34Z	A	E5-34H	A	E5-34S	A
38	32 x 1.6	M6x30	E5-38Z	A	E5-38H	A	E5-38S	A
43	32 x 1.6	M6x30	E5-43Z	A	E5-43H	A	E5-43S	A
48	32 x 2.5	M6x30	E5-48Z	A	E5-48H	A	E5-48S	A
51	32 x 2.5	M6x30	E5-51Z	A	E5-51H	A	E5-51S	A
54	32 x 2.5	M6x30	E5-54Z	A	E5-54H	A	E5-54S	A
57	32 x 2.5	M6x30	E5-57Z	A	E5-57H	B	E5-57S	B
60	32 x 2.5	M6x30	E5-60Z	A	E5-60H	A	E5-60S	A
64	32 x 2.5	M6x50	E5-64Z	A	E5-64H	A	E5-64S	A
67	32 x 2.5	M6x50	E5-67Z	A	E5-67H	B	E5-67S	B
70	32 x 2.5	M6x50	E5-70Z	A	E5-70H	A	E5-70S	B
73	32 x 2.5	M6x50	E5-73Z	A	E5-73H	B	E5-73S	B
76	32 x 2.5	M6x50	E5-76Z	A	E5-76H	A	E5-76S	A
79	32 x 2.5	M6x50	E5-79Z	A	E5-79H	A	E5-79S	B
83	32 x 2.5	M6x50	E5-83Z	A	E5-83H	A	E5-83S	B
86	32 x 2.5	M6x50	E5-86Z	B	E5-86H	C	E5-86S	B
89	32 x 2.5	M6x50	E5-89Z	A	E5-89H	A	E5-89S	A
92	32 x 2.5	M6x50	E5-92Z	A	E5-92H	A	E5-92S	A
95	32 x 2.5	M6x50	E5-95Z	B	E5-95H	B	E5-95S	B

**Service Guide Key:** A Usually in stock at all branches B Usually in stock at head office  
C Normal lead time D Made to Order (lead time on enquiry)

FASTENERS

STRUT SYSTEMS

CABLE SUPPORTS

FIRERATED

PIPE SUPPORTS

E5 CHANNEL CLIP (CONTINUED)								
Ø D	Material (W x T)	Bolt Size	Zinc Plated (AS1789:2003)		Hot Dip Galvanised (AS/NZS4680:2006)		Stainless Steel (316)	
			Part No.	Service Guide	Part No.	Service Guide	Part No.	Service Guide
98	32 x 2.5	M6x50	E5-98Z	B	E5-98H	B	E5-98S	B
102	32 x 2.5	M8x50	E5-102Z	A	E5-102H	A	E5-102S	A
105	32 x 2.5	M8x50	E5-105Z	C	E5-105H	A	E5-105S	B
108	32 x 2.5	M8x50	E5-108Z	B	E5-108H	A	E5-108S	C
111	32 x 2.5	M8x50	E5-111Z	B	E5-111H	A	E5-111S	B
114	32 x 2.5	M8x50	E5-114Z	A	E5-114H	A	E5-114S	A
117	32 x 2.5	M8x50	E5-117Z	A	E5-117H	A	E5-117S	C
121	32 x 2.5	M8x50	E5-121Z	A	E5-121H	C	E5-121S	D
127	32 x 2.5	M8x50	E5-127Z	B	E5-127H	A	E5-127S	B
140	32 x 2.5	M8x50	E5-140Z	B	E5-140H	A	E5-140S	D
152	32 x 2.5	M8x50	E5-152Z	B	E5-152H	A	E5-152S	B
160	32 x 2.5	M8x50	E5-160Z	B	E5-160H	A	E5-160S	B
165	32 x 2.5	M8x50	E5-165Z	A	E5-165H	A	E5-165S	B
171	32 x 2.5	M8x50	E5-171Z	C	E5-171H	A	E5-171S	B
178	32 x 2.5	M8x50	E5-178Z	C	E5-178H	A	E5-178S	B
203	32 x 2.5	M8x50	E5-203Z	C	E5-203H	A	E5-203S	B
230	32 x 2.5	M8x50	E5-230Z	D	E5-230H	B	E5-230S	D
254	32 x 2.5	M8x50	E5-254Z	D	E5-254H	B	E5-254S	D
263	32 x 2.5	M8x50	E5-263Z	D	E5-263H	B	E5-263S	D

**D OTHER MADE TO ORDER (MTO) SIZES & FINISH OPTIONS AVAILABLE**



## HOW TO ORDER E5 CHANNEL CLIPS

Example

**E5-19 H**

Select E5 Channel Clip

Select Ø D

Select Finish

- H Hot Dip Galvanised
- Z Zinc Plated
- S Stainless Steel
- P\* Powder Coated

**D** \*Powder Coated finish is available as made to order.

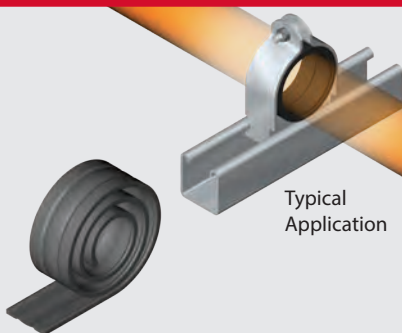
A great feature of EzyStrut E5 is the burst thread with the supplied screw designed for rapid installation.

### E2600 ISOLATION STRIP (FOR E5 CHANNEL CLAMPS)

Supplied in 20 meter rolls and suitable for use with EzyStrut's E5 Channel Clamp.

The E2600 is an easy to install rubber electrical insulation solution between cables and metal cable clamps that have been installed onto channel.

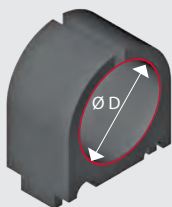
Recommended for when you are installing pipes that can be subject to vibration, such as in HVAC or other mechanical installations.



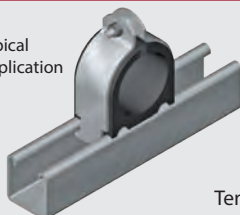
Typical Application

Length	Part Number	Service Guide
20m	<b>E2600</b>	<b>A</b>

### ERL REFRIGERATION LINING KIT (WITH E5 CHANNEL CLIPS)



Typical Application



The ERL Refrigeration Lining Kit comes with a Zinc Plated E5 Channel Clip (AS1789:2003) and rubber lining.

Temperature Rating: **-45°C to 135°C**

Ø D	E5 Channel Clip	Part No.	Service Guide
6.4	E5-17	<b>ERL-6.4</b>	<b>C</b>
9.5	E5-17	<b>ERL-10</b>	<b>C</b>
12.7	E5-27	<b>ERL-13</b>	<b>C</b>
15.9	E5-27	<b>ERL-16</b>	<b>C</b>
19.1	E5-27	<b>ERL-19</b>	<b>C</b>
22.2	E5-38	<b>ERL-22</b>	<b>C</b>
25.4	E5-38	<b>ERL-25</b>	<b>C</b>
28.6	E5-38	<b>ERL-29</b>	<b>C</b>
31.8	E5-43	<b>ERL-32</b>	<b>C</b>
34.9	E5-48	<b>ERL-35</b>	<b>C</b>
38.1	E5-48	<b>ERL-38</b>	<b>C</b>
41.3	E5-57	<b>ERL-41</b>	<b>C</b>
44.5	E5-64	<b>ERL-45</b>	<b>C</b>
50.8	E5-64	<b>ERL-51</b>	<b>C</b>
54.0	E5-76	<b>ERL-54</b>	<b>C</b>
63.5	E5-76	<b>ERL-64</b>	<b>C</b>
66.7	E5-89	<b>ERL-67</b>	<b>C</b>
76.2	E5-92	<b>ERL-76</b>	<b>C</b>
79.2	E5-92	<b>ERL-79</b>	<b>C</b>
88.9	E5-111	<b>ERL-89</b>	<b>C</b>
101.6	E5-121	<b>ERL-102</b>	<b>C</b>

**Service Guide Key:** **A** Usually in stock at all branches    **B** Usually in stock at head office  
**C** Normal lead time    **D** Made to Order (lead time on enquiry)

FASTENERS

STRUT SYSTEMS

CABLE SUPPORTS

FIRERATED

PIPE SUPPORTS