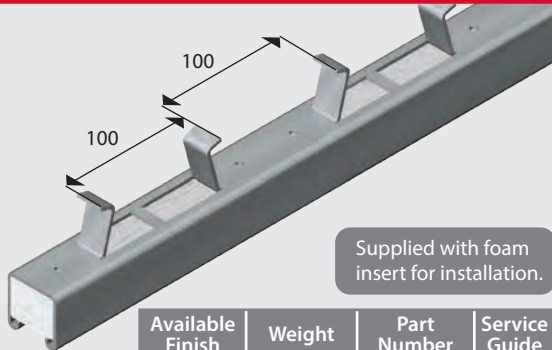
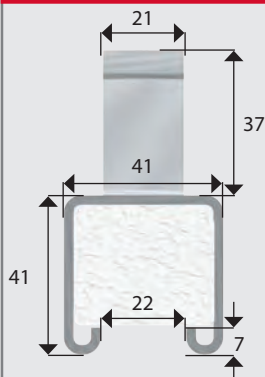


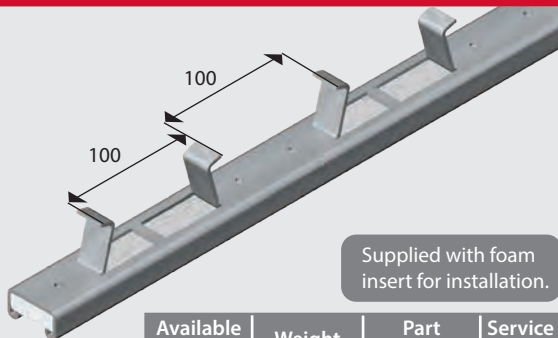
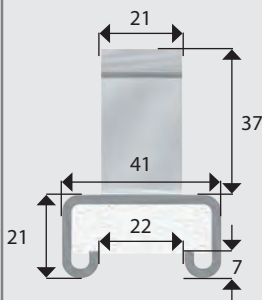
E1000CI CONCRETE INSERT CHANNEL



Supplied with foam insert for installation.

Available Finish	Weight	Part Number	Service Guide
HF	17.3kg/6m	E1000CIHF	D

E3300CI CONCRETE INSERT CHANNEL



Supplied with foam insert for installation.

Available Finish	Weight	Part Number	Service Guide
HF	11.4kg/6m	E3300CIHF	D

HOW TO ORDER CONCRETE INSERT CHANNEL

Example

E1000CIHF



Select Concrete Insert Channel

- E1000CI** 41x41mm/2.5mm THK
- E3300CI** 41x21mm/2.5mm THK

Append Finish

- H** Hot Dip Galvanised

Foam insert

- F** Foam Insert Included

FASTENERS

STRUT SYSTEMS

CABLE SUPPORTS

FIRERATED

PIPE SUPPORTS