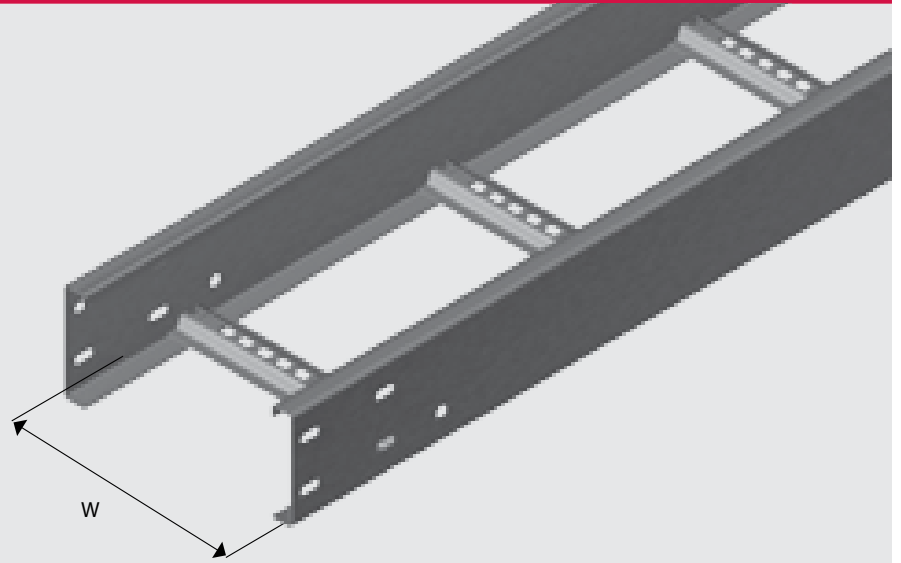


NEMA 3 CABLE LADDER



PRODUCT DETAILS

EzyStrut Nema 3 Steel Cable Ladder is manufactured from strip steel to the following Standards:

- Mild steel and Hot Dip Galvanised to AS/NZS1365, AS1594, AS/NZS4680, ISO1461
- Stainless Steel to AS1449/AS2837
- Meets the loading requirements of NEMA 20B Classification

STANDARD LENGTH

- 6 Metres
- 3 Metre lengths manufactured against firm orders only

Consult your local Sales Office for specific loading capacities and installation techniques that must be followed in order to comply with the AS/NZ3013 standard.

ORDERING DETAILS

Sold per length

AVAILABLE FINISH

- Hot Dip Galvanised
- Stainless Steel

ORDERING CODE

- N3L...NH
- N3L...NS

Stainless Steel products are manufactured against firm orders only. Minimum production quantities may apply.

Ordering Code

Cable Laying Width - W (mm)

Cable Laying Depth (mm)

Overall Width (mm)

Side Rail Height (mm)

N3L150N
N3L300N
N3L450N
N3L600N
N3L900N

150
300
450
600
900

115
115
115
115
115

154
304
454
604
904

130
130
130
130
130

LOAD RATING AND DEFLECTION

SPAN METRE	LOAD PER METRE	DEFLECTION
6.0	111kg	Deflection 31mm
5.5	127kg	Deflection 26mm
5.0	134kg	Deflection 19mm
4.5	165kg	Deflection 16mm
4.0	209kg	Deflection 13mm

Nema 3 Steel Cable Ladder has been tested in accordance with NEMA standards and the load ratings certified by a NATA accredited testing facility.

A guide to deflection for continuous runs has been included for easy reference, however it should be noted that the positioning of splice joints and loading techniques can significantly impact upon the actual deflection. Refer to NEMA VE2 Installation guidelines for further explanation.