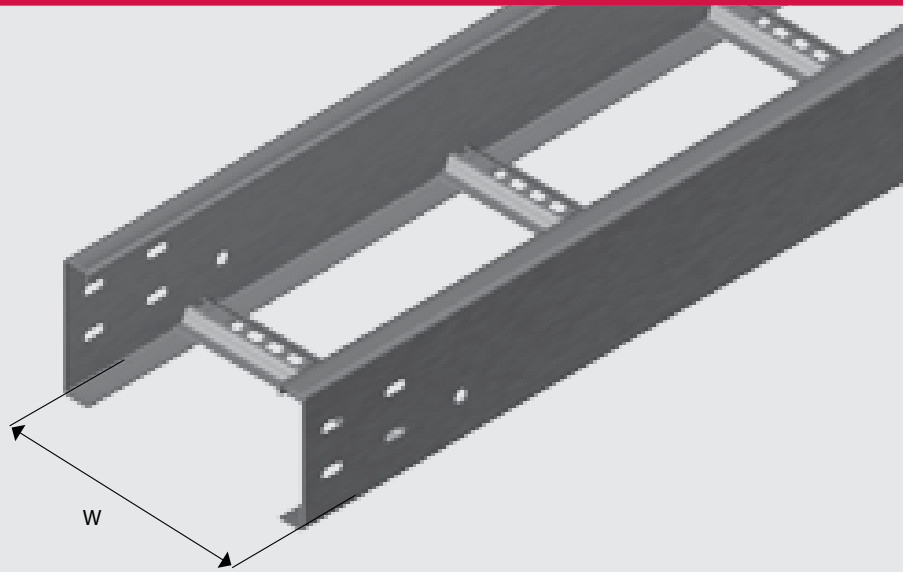


## NEMA 20C CABLE LADDER



### PRODUCT DETAILS

EzyStrut Nema 20C Steel Cable Ladder is manufactured from strip steel to the following Standards:

- Mild steel and Hot Dip Galvanised to AS/NZS1365, AS1594, AS/NZS4680, ISO1461
- Stainless Steel to AS1449/AS2837
- Meets the loading requirements of NEMA 20C Classification

### STANDARD LENGTH

- 6 Metres
- 3 Metre lengths manufactured against firm orders only

Consult your local Sales Office for specific loading capacities and installation techniques that must be followed in order to comply with the AS/NZ3013 standard.

### ORDERING DETAILS

Sold per length

#### AVAILABLE FINISH

Hot Dip Galvanised  
Stainless Steel

#### ORDERING CODE

N20CL...NH  
N20CL...NS

Stainless Steel products are manufactured against firm orders only. Minimum production quantities may apply.

#### Ordering Code

#### Cable Laying Width - W (mm)

#### Cable Laying Depth (mm)

#### Overall Width (mm)

#### Side Rail Height (mm)

N20CL150N  
N20CL300N  
N20CL450N  
N20CL600N  
N20CL900N

150  
300  
450  
600  
900

135  
135  
135  
135  
135

154  
304  
454  
604  
904

150  
150  
150  
150  
150

### LOAD RATING AND DEFLECTION

SPAN METRE	LOAD PER METRE	DEFLECTION
6.0	149kg	Deflection 24mm
5.5	177kg	Deflection 20mm
5.0	215kg	Deflection 17mm
4.5	265kg	Deflection 12mm
4.0	335kg	Deflection 11mm

Nema 20C Steel Cable Ladder has been tested in accordance with NEMA standards and the load ratings certified by a NATA accredited testing facility.

A guide to deflection for continuous runs has been included for easy reference, however it should be noted that the positioning of splice joints and loading techniques can significantly impact upon the actual deflection. Refer to NEMA VE2 Installation guidelines for further explanation.