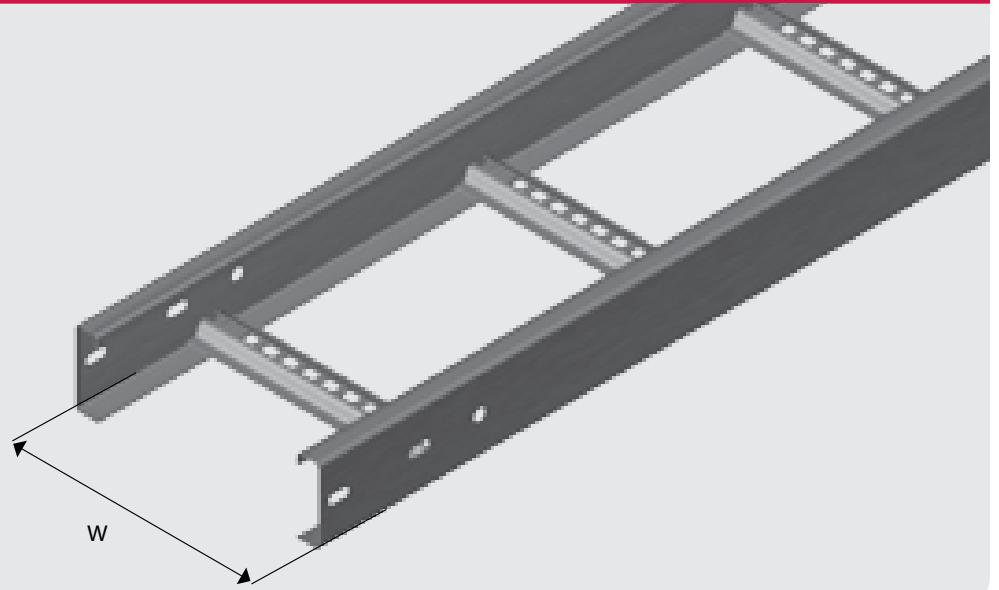


NEMA 2 CABLE LADDER



PRODUCT DETAILS

EzyStrut Nema 2 Steel Cable Ladder is manufactured from strip steel to the following Standards:

- Mild steel and Hot Dip Galvanised to AS/NZS1365, AS1594, AS/NZS4680, ISO1461
- Stainless Steel to AS1449/AS2837
- Meets the loading requirements of NEMA 16A Classification

STANDARD LENGTH

- 6 Metres
- 3 Metre lengths manufactured against firm orders only

Consult your local Sales Office for specific loading capacities and installation techniques that must be followed in order to comply with the AS/NZ3013 standard.

ORDERING DETAILS

Sold per length

AVAILABLE FINISH

Hot Dip Galvanised
Stainless Steel

ORDERING CODE

N2L...NH
N2L...NS

Stainless Steel products are manufactured against firm orders only. Minimum production quantities may apply.

Ordering Code	Cable Laying Width - W (mm)	Cable Laying Depth (mm)	Overall Width (mm)	Side Rail Height (mm)
N2L150N	150	75	154	93
N2L300N	300	75	304	93
N2L450N	450	75	454	93
N2L600N	600	75	604	93
N2L900N	900	75	904	93

LOAD RATING AND DEFLECTION

SPAN METRE	LOAD PER METRE	DEFLECTION
6.0	75kg	Deflection 41mm
5.5	83kg	Deflection 35mm
5.0	100kg	Deflection 29mm
4.5	130kg	Deflection 24mm
4.0	165kg	Deflection 19mm

Nema 2 Steel Cable Ladder has been tested in accordance with NEMA standards and the load ratings certified by a NATA accredited testing facility.

A guide to deflection for continuous runs has been included for easy reference, however it should be noted that the positioning of splice joints and loading techniques can significantly impact upon the actual deflection. Refer to NEMA VE2 Installation guidelines for further explanation.