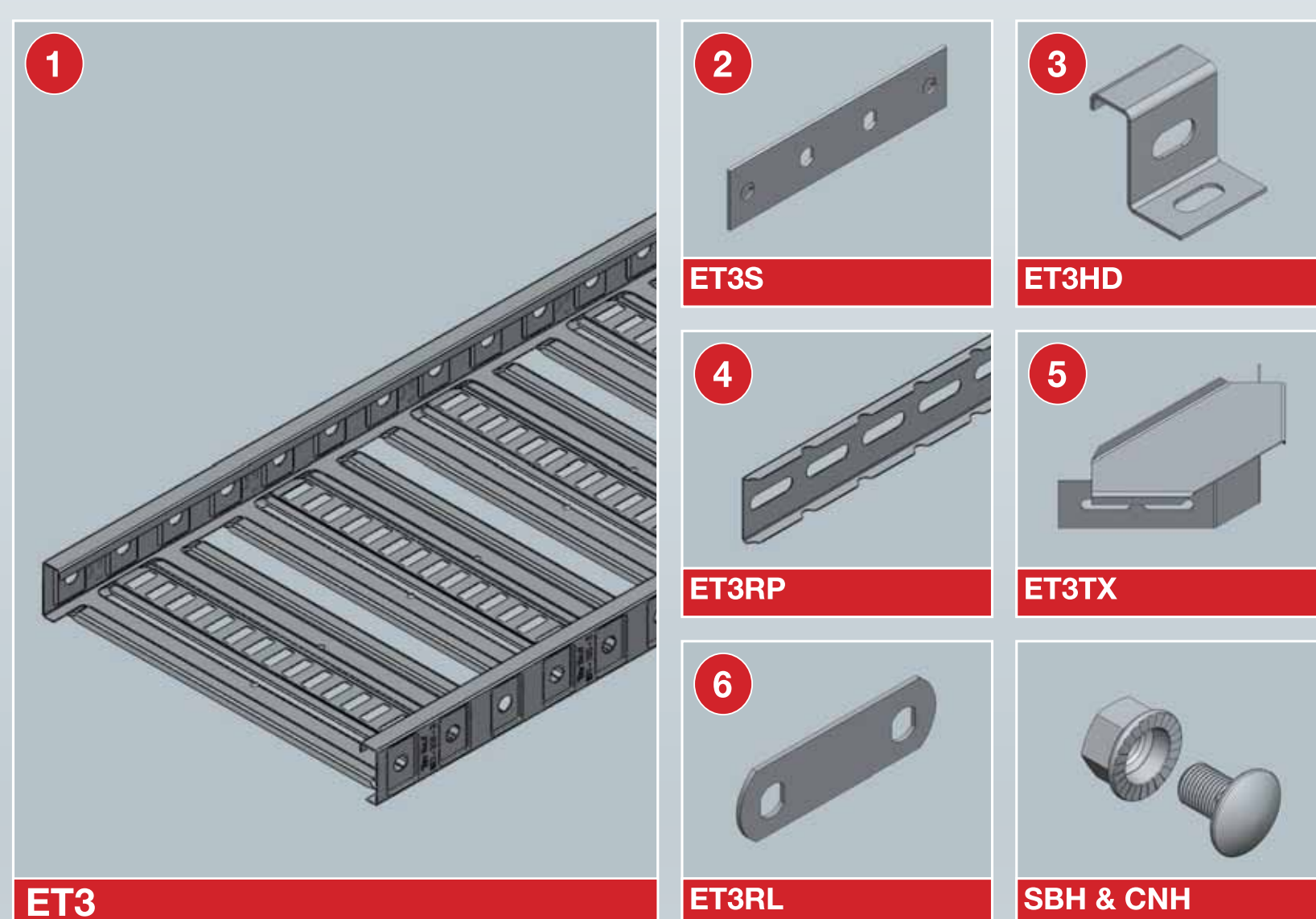


ET3

ET5



ET3

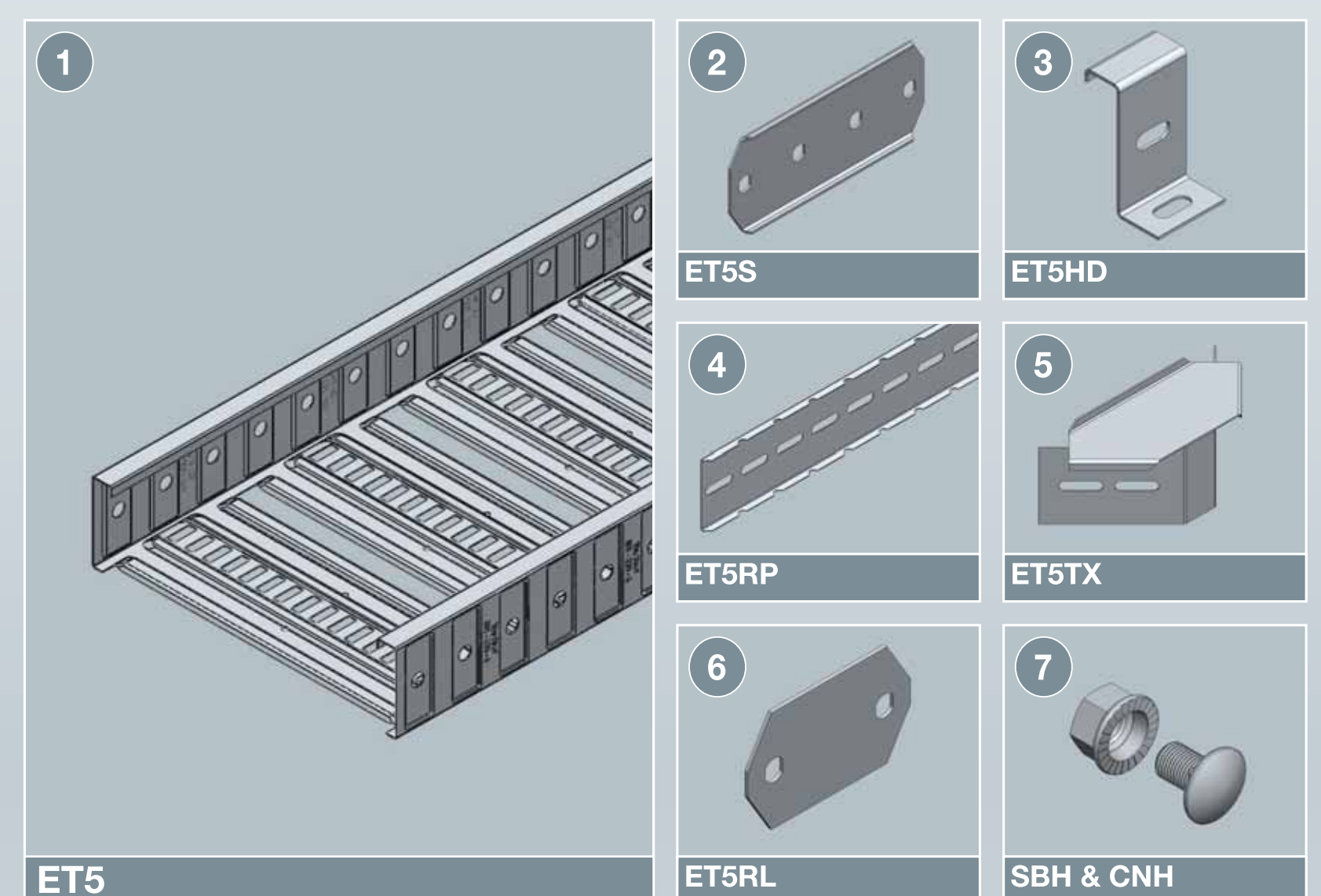
Ordering Details - ET3

Ordering Code	Nominal Cable Laying Width mm	Cable Laying Depth mm	Overall Width (W) mm	Overall Height (H) mm
ET3 150	150	40	172	47
ET3 300	300	40	322	47
ET3 450	450	40	472	47
ET3 600	600	40	622	47

Load Rating and Deflection

SPAN METRE	LOAD PER METRE	Deflection
3.0	29 kg	Deflection 23mm
2.5	40 kg	Deflection 18mm
2.0	62 kg	Deflection 13mm
1.5	116 kg	Deflection 9mm

To specify your preferred product finish, add to the end of your ordering code –
G – Galvanised Sheet Steel or
H – Hot Dip Galvanised



ET5

Ordering Details - ET5

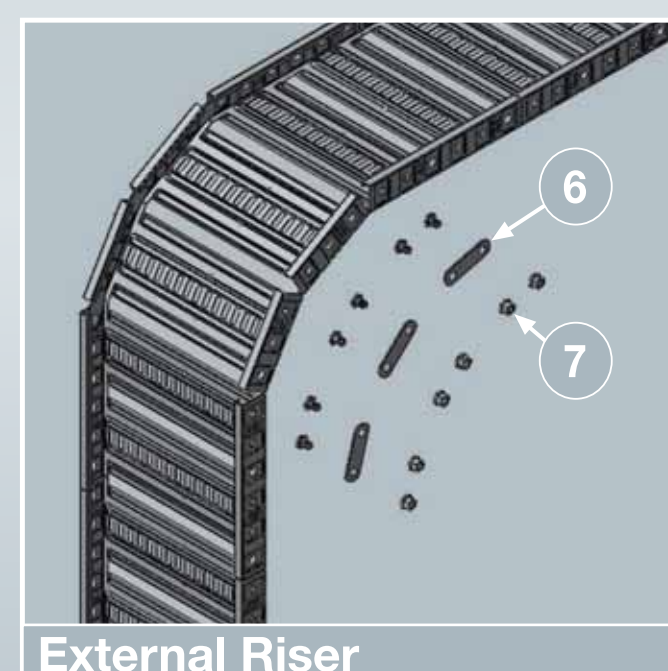
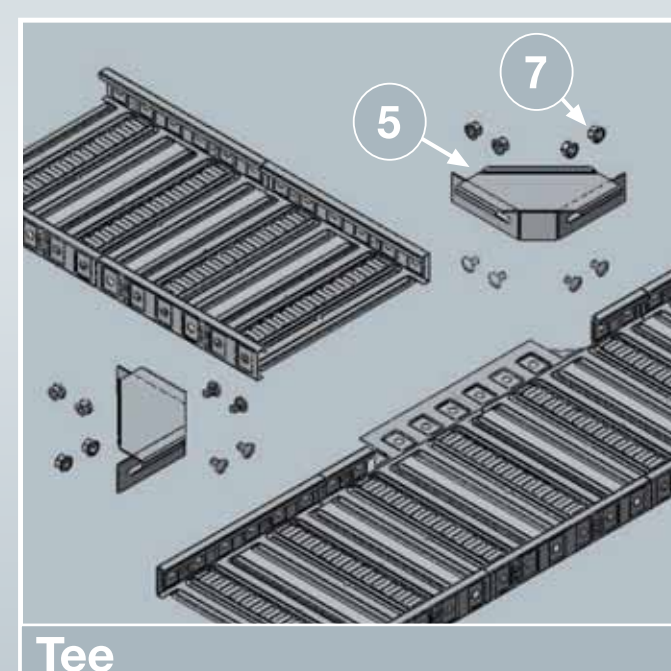
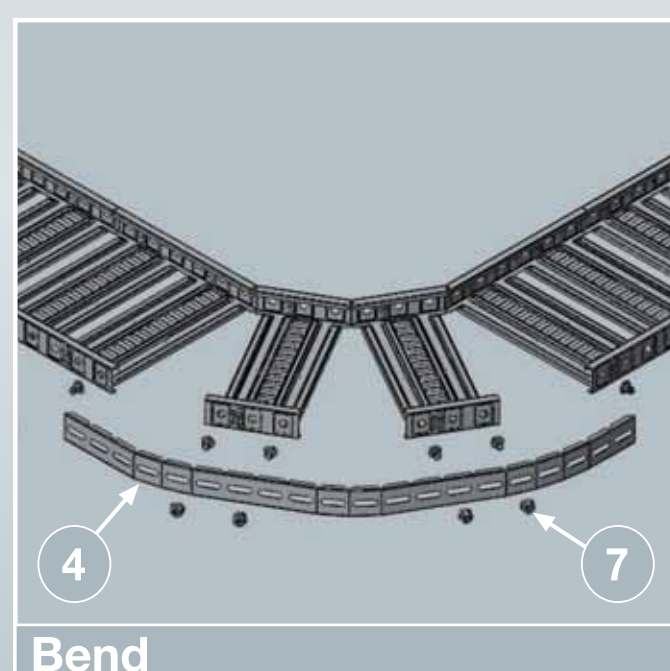
Ordering Code	Nominal Cable Laying Width mm	Cable Laying Depth mm	Overall Width (W) mm	Overall Height (H) mm
ET5 150	150	78	172	85
ET5 300	300	78	322	85
ET5 450	450	78	472	85
ET5 600	600	78	622	85

Load Rating and Deflection

SPAN METRE	LOAD PER METRE	Deflection
3.0	60 kg	Deflection 14mm
2.5	82 kg	Deflection 11mm
2.0	128 kg	Deflection 8mm
1.5	227 kg	Deflection 6mm

To specify your preferred product finish, add to the end of your ordering code –
G – Galvanised Sheet Steel or
H – Hot Dip Galvanised

Assembly Details



All ET3 and ET5 products have been tested in accordance with NEMA standards and the load ratings certified by a NATA accredited testing facility. A guide to deflection for continuous runs has been included for easy reference, however it should be noted that the positioning of splice joints and loading techniques can significantly impact upon the actual deflection. Refer to NEMA VE2 Installation guidelines for further explanation.